



CHARACTERISTICS

The L3 MAPPS Standard Marine Console has been designed to meet today's needs for a compact, open architecture, human-machine interface workstation. The heart of the console is a PC or VME format computer situated in the console base. Using industry standard formats allows for easy adoption of new computer technologies during the ship's life-cycle.

The console is of modular design allowing multi-console configurations to be readily assembled. A range of connection segments are available that allow unique configurations to be developed to suit customer needs. These segments may also be used to house traditional instrumentation or communications equipment. Our systems engineering staff works with the customer to achieve the optimum design integration for the application.

The console's light weight and compact size make it ideal for upgrade and backfit applications where traditional operator consoles are being replaced. The single screen console is completely deck-mounted while the dual screen configuration requires the fitting of a top brace. The console can be completely installed and maintained from the front allowing the unit to be installed close to bulkheads, freeing up space in congested compartments.



FEATURES

- Compact ergonomic design
- Light weight
- Front access
- PC or VME processor options
- US Navy MIL SPEC Compliant using COTS equipment
- Dual monitor configuration available

ADVANCED MODULAR CONSTRUCTION

- Lightweight
 - Aluminum and composite materials
- Compact Size
 - Easily fits into small/congested compartments
- Adaptable
 - Provisions for hosting traditional controls and instrumentation
- Modular design
 - Permits multiple-bay console workstation to be assembled
- Shock qualified

SPECIFICATIONS

- Color display
 - High resolution (1600 x 1200/UXGA), 20.1" LCD
- Input Devices
 - Standard keyboard and 2"/50mm trackball
- Processor
 - PC or 6U VME format
- Sound
 - 2W speaker
- Network
 - Two or more 10/100/1000Mbps copper or fiber optic ethernet ports

OPTIONS AVAILABLE

- Touch screen
- Hardwired emergency stop push-buttons
- External shock mounts
- Color to customer specifications
- LCD upgrade to 23" (1920 x 1080 / full HD)

STANDARD MARINE CONSOLE



ELECTRICAL CHARACTERISTICS:

- Power consumption: 300W typ.
- Voltage: per NATO STANAG 1008 limits
 - 24 VDC nominal; or
 - 115/230 VAC, 50/60 Hz

DIMENSIONS AND WEIGHT

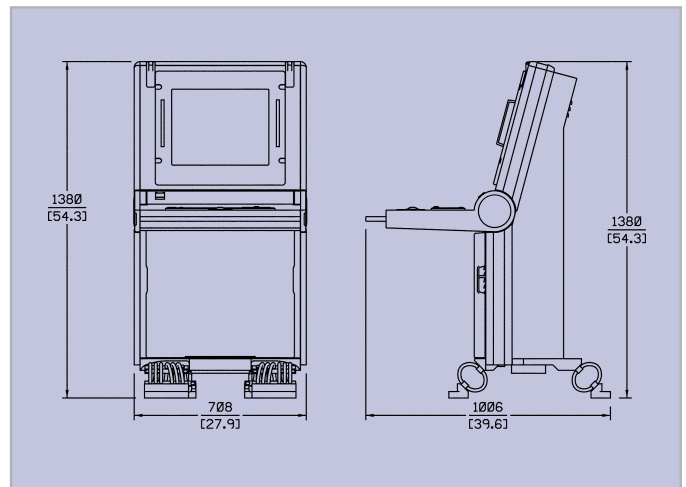
- Height: 1.4m (55")
- Width: 0.7m (28")
- Depth: 1.0m (39")
- Weight: 170kg (375 lb)

ENVIRONMENTAL CHARACTERISTICS:

- Operating temperature: 0°C to +50°C
- Non-operating temperature: -20°C to +70°C
- Humidity: up to 95% R.H. condensing
- Vibration: MIL-STD-167-1, 4-25 Hz
- Shock with isolators: MIL-S-901D Grade A, Class II
- Shock without isolators: 15g
- Enclosure degree of protection: IP 23
- EMI: MIL-STD-461E for surface ships

RELIABILITY

- MTTR < 30 minutes (front access)
- MTBF > 6,600 hours



QUALIFICATION

- MIL-STD-167-1 (vibration)
- MIL-S-901D (shock)
- MIL-STD-461E (EMI)
- MIL-STD-810F (temperature and humidity)
- Type approvals for Germanischer Lloyd, American Bureau of Shipping, Lloyd Register, and Det Norske Veritas pending



MAPPS

L3 MAPPS

8565 Côte-de-Liesse
Montréal, Québec
Canada, H4T 1G5
Tel: +1 (514) 787-5000
Fax: +1 (514) 788-1442
Email: marine.mapps@L3T.com
www.L3T.com/MAPPS